

GBTO Folding Bracket

Features

- With locking lever to prevent unexpected folding

Notes

- When using as a bracket, be sure to lock the lever
- Hold the shelf board when folding. Improper usage or load application may cause accidental injury or damage

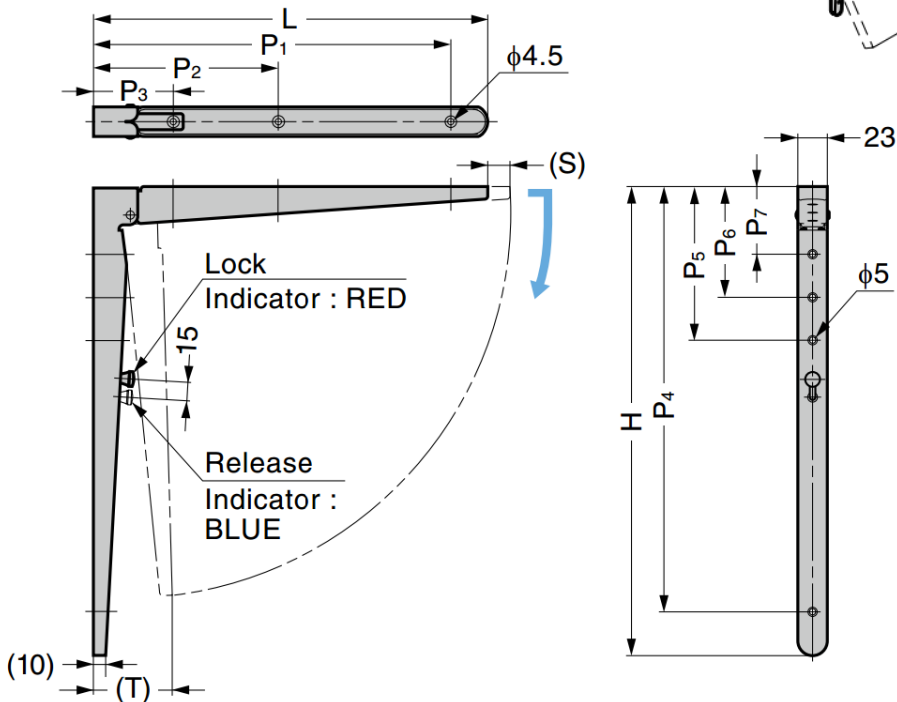
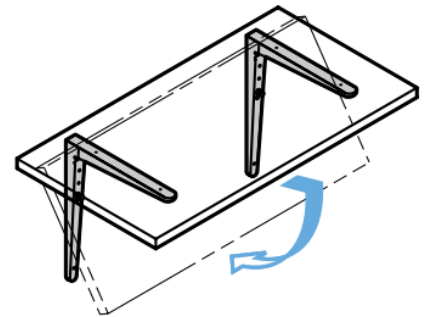
Parts Included

- Raised countersunk head wood screw (refer to below table for size and quantity)



Item Name	Shelf Board		Wall	
	Size	Qty	Size	Qty
GBTO-300	3.5 × 20	1 pc	4.5 × 25	1 pc
	3.8 × 38		4.5 × 45	2 pcs
GBTO-380	3.5 × 25		4.5 × 32	1 pc
	3.8 × 38		4.5 × 50	3 pcs
	3.8 × 45	-	-	

Stainless steel (Plain) for **GBTO-300S, GBTO-380S**
Steel (White Enamel Finish) for **GBTO-300W, GBTO-380W**



Part No.	Material / Finish	H	L	P ₁	P ₂	P ₃	P ₄	P ₅	P ₆	P ₇	S	T	Load Capacity
GBTO-300S	SS304, Satin	300	241	211	-	61	270	80	50	-	15	57	200 N 20.4 kg
GBTO-300W	Steel, White Powder Coat												
GBTO-380S*	SS304, Satin	380	320	290	150	65	345	125	90	55	18	64	- -
GBTO-380W*	Steel, White Powder Coat												

* Made-to-order with MOQ 2,000 pcs